

Specification

Specification	9001/CH/30	9001/CH/55	9001/CH/80	9001/D/30
Voltage	220 VAC	220 VAC	220 VAC	220 VAC
Base	E27	E27+GU10	E27+GU10	E27+GU10
Lamp	CFL-LED	CFL-LED	CFL-LED	CFL-LED
Watt	36W MAX	36W MAX	36W MAX	36W MAX
Material	STEEL	STEEL	STEEL	STEEL
Body Color	White-Black-(by order)	White-Black-(by order)	White-Black-(by order)	White-Black-(by order)
IP	54	54	54	54

Application

9001/CH/30

9001/CH/55

9001/CH/80

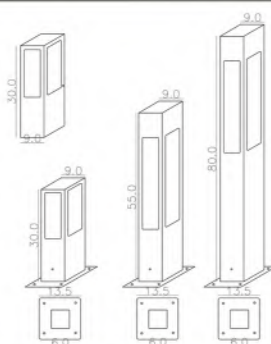
9001/D/30

Residential area:

paths,privet area,residential hotel,pedestrian ways,perimeter walls

Amenity Lighting:

gardens,green areas,parks,promenades urban furnishing,areas with greenery,lawn



Specification

Specification	9002/CH/30	9002/CH/55	9002/CH/80	9002/D/30
Voltage	220 VAC	220 VAC	220 VAC	220 VAC
Base	E27	E27+GU10	E27+GU10	E27+GU10
Lamp	CFL-LED	CFL-LED	CFL-LED	CFL-LED
Watt	36W MAX	36W MAX	36W MAX	36W MAX
Material	STEEL	STEEL	STEEL	STEEL
Body Color	White-Black-(by order)	White-Black-(by order)	White-Black-(by order)	White-Black-(by order)
IP	54	54	54	54

Application

9002/CH/30

9002/CH/55

9002/CH/80

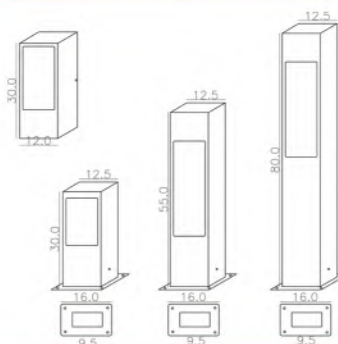
9002/D/30

Residential area:

privet area,residential hotel,pedestrian ways,perimeter walls,external and internal walls

Amenity Lighting:

Residential building, hotel,restaurant,galery



Specification

Specification	9003/CH/30	9003/CH/55	9003/CH/80	9003/D/30
Voltage	220 VAC	220 VAC	220 VAC	220 VAC
Base	E27	E27+GU10	E27+GU10	E27+GU10
Lamp	CFL-LED	CFL-LED	CFL-LED	CFL-LED
Watt	36W MAX	36W MAX	36W MAX	36W MAX
Material	STEEL	STEEL	STEEL	STEEL
Body Color	White-Black-(by order)	White-Black-(by order)	White-Black-(by order)	White-Black-(by order)
IP	54	54	54	54

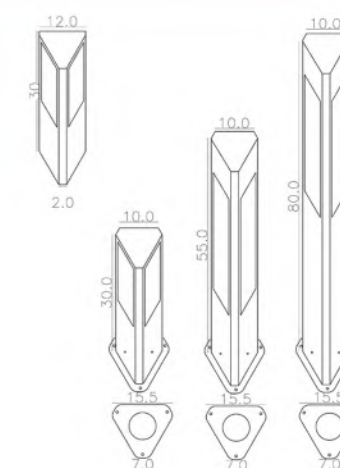
Application

Residential area:

paths,privet area,residential hotel,pedestrian ways,perimeter walls

Amenity Lighting:

gardens,green areas,parks,promenades urban furnishing,areas with greenery,lawn



9003/CH/30

9003/CH/55

9003/CH/80

9003/D/30



9004/CH/30

9004/CH/55

9004/CH/80

Specification

Specification	9004/CH/30	9004/CH/55	9004/CH/80
Voltage	220 VAC	220 VAC	220 VAC
Base	GU10	GU10	GU10
Lamp	halogen-LED	halogen-LED	halogen-LED
Watt	2 x 9W Max	2 x 9W Max	2 x 9W Max
Material	STEEL	STEEL	STEEL
Body Color	White-Black-(by order)	White-Black-(by order)	White-Black-(by order)
IP	54	54	54

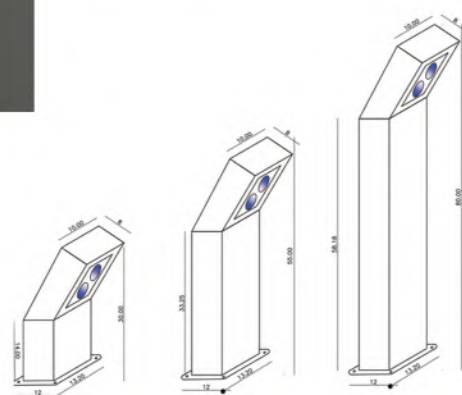
Application

Residential area:

paths,privet area,residential hotel,pedestrian ways,perimeter walls

Amenity Lighting:

gardens,green areas,parks,promenades urban furnishing,areas with greenery,lawn



9005/CH/30

9005/CH/55

9005/CH/80

9005/D/30

Specification

Specification	9005/CH/40	9005/CH/60	9005/CH/90	9005/D/30
Voltage	220 VAC	220 VAC	220 VAC	220 VAC
Base	E27	E27+GU10	E27+GU10	E27+GU10
Lamp	CFL-LED	CFL-LED	CFL-LED	CFL-LED
Watt	36W MAX	36W MAX	36W MAX	36W MAX
Material	STEEL	STEEL	STEEL	STEEL
Body Color	White-Black-(by order)	White-Black-(by order)	White-Black-(by order)	White-Black-(by order)
IP	54	54	54	54

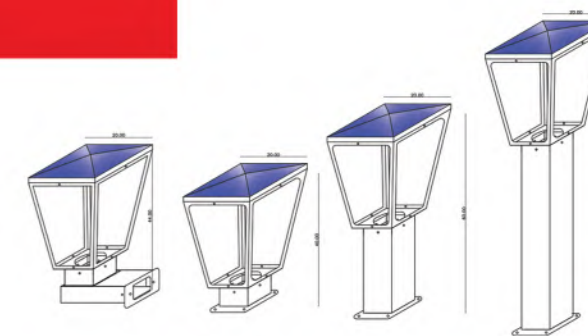
Application

Residential area:

paths,privet area,residential hotel,pedestrian ways,perimeter walls

Amenity Lighting:

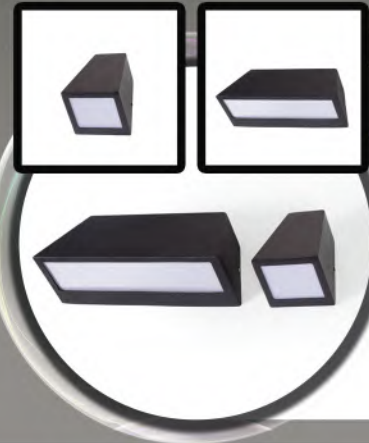
gardens,green areas,parks,promenades urban furnishing,areas with greenery,lawn



Wall Lights

تجهيزات روشنایی آرون

5



Specification

Specification	Z6061/D/GU10	Z7061/D/2GU10
Voltage	220 VAC	220 VAC
Base	GU10	2xGU10
Lamp	CFL-LED	CFL-LED
Watt	9W MAX	2x9W MAX
Material	STEEL	STEEL
Body Color	White-Black-(by order)	White-Black-(by order)
IP	54	54

Application

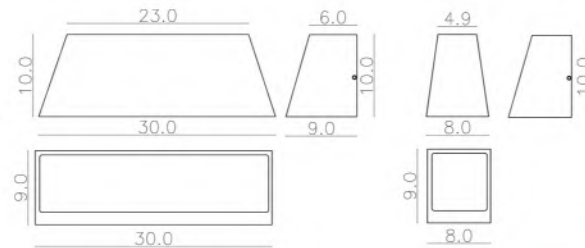
Z6061/D/GU10

Z7061/D/2GU10

Residential area:
privet area,residential hotel,pedestrian
ways,perimeter walls,external and internal walls

Amenity Lighting:

Residential building, hotel,restaurant,gallery



Wall Lights

تجهيزات روشنایی آرون

6



Specification

Specification	6063/D/2GU10
Voltage	220 VAC
Base	GU10
Lamp	LED
Watt	2x9W MAX
Material	STEEL
Body Color	White-Black-(by order)
IP	54

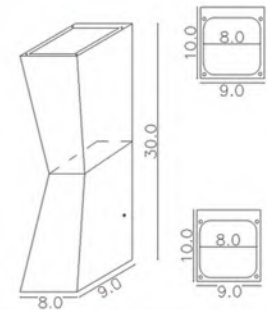
Application

6063/D/2GU10

Residential area:
privet area,residential hotel,pedestrian
ways,perimeter walls,external and internal walls

Amenity Lighting:

Residential building, hotel,restaurant,gallery



Specification

Specification	Z6061/D/E27	Z7061/D/2E27
Voltage	220 VAC	220 VAC
Base	E27	2xE27
Lamp	CFL-LED	CFL-LED
Watt	23W MAX	2x23W MAX
Material	STEEL	STEEL
Body Color	White-Black-(by order)	White-Black-(by order)
IP	54	54

Application

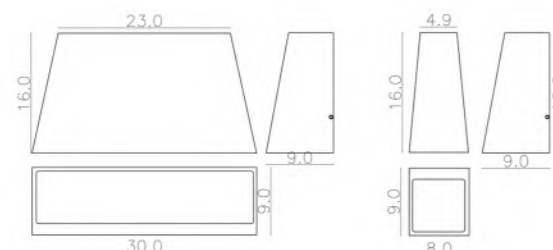
Z6061/D/E27

Z7061/D/2E27

Residential area:
privet area,residential hotel,pedestrian

Amenity Lighting:

Residential building, hotel,restaurant,gallery



Specification

Specification	Z6064/C/GU10
Voltage	220 VAC
Base	GU10
Lamp	LED
Watt	9W MAX
Material	STEEL
Body Color	White-Black-(by order)
IP	54

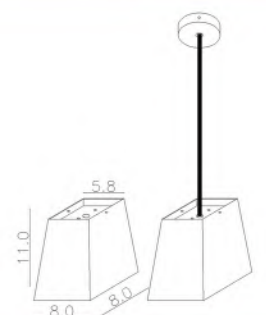
Application

Z6064/C/GU10

Residential area:
privet area,residential hotel,pedestrian

Amenity Lighting:

Residential building, hotel,restaurant,gallery



Wall Lights

تجهيزات روشنایی آرون

7

Ceiling Lights

تجهيزات روشنایی آرون

8



Specification

Specification	Z6065/C/E27
Voltage	220 VAC
Base	E27
Lamp	LED
Watt	15W MAX
Material	STEEL
Body Color	White-Black-(by order)
IP	54

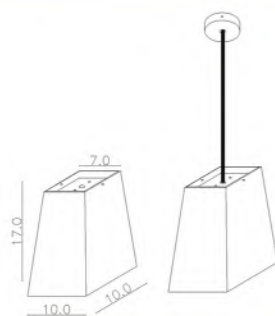
Application

Residential area:

privet area,residental hotel,pedestrian

Amenity Lighting:

Residental building, hotel,restaurant,galery



Specification

Base 4040	
Base 50	
Base 75	
Body Color	White-Black-(by order)

Application

Base 4040

Residential area:

Surface Mountanig and Hanging Instalation.

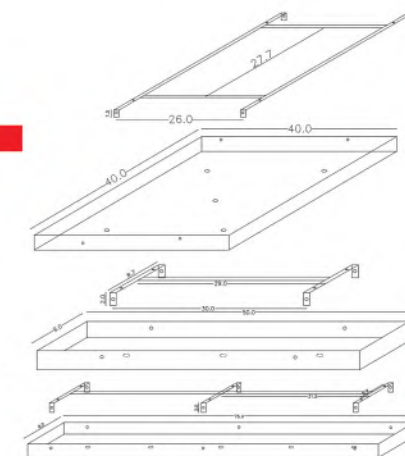
Base 50

Base for : S8005/C - M7005/C - Z6064/C - Z6065/C - Z6066/C

Base 75

Amenity Lighting:

Residental building, hotel,restaurant,galery



Specification

Specification	6063/D/2GU10
Voltage	220 VAC
Base	GU10
Lamp	LED
Watt	2x9W MAX
Material	STEEL
Body Color	White-Black-(by order)
IP	54

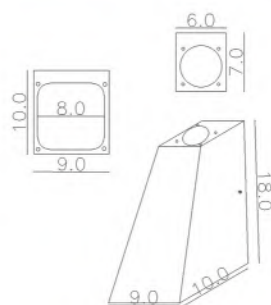
Application

Residential area:

privet area,residental hotel,pedestrian ways,perimeter walls,external and internal walls

Amenity Lighting:

Residental building, hotel,restaurant,galery



Specification

Specification	M7005/D/12/GU10	M7005/D/12/3GU10
Voltage	220 VAC	220 VAC
Base	GU10	3xGU10
Lamp	CFL-LED	CFL-LED
Watt	9W MAX	3x9W MAX
Material	STEEL	STEEL
Body Color	White-Black-(by order)	White-Black-(by order)
IP	54	54

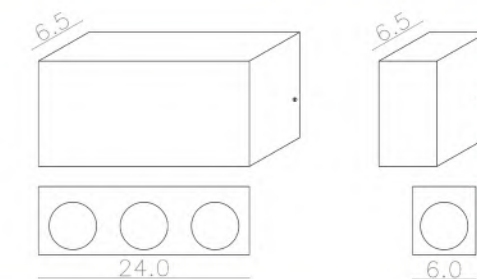
Application

Residential area:

privet area,residental hotel,pedestrian ways,perimeter walls,external and internal walls

Amenity Lighting:

Residental building, hotel,restaurant,galery



Specification

Specification	7005/D/2GU10
Voltage	220 VAC
Base	GU10
Lamp	LED
Watt	2x9W MAX
Material	STEEL
Body Color	White-Black-(by order)
IP	54

Application

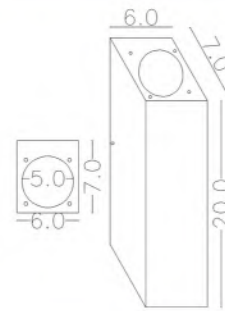
Residential area:

privet area,residential hotel,pedestrian ways,perimeter walls,external and internal walls

Amenity Lighting:

Residential building, hotel,restaurant,galery

7005/D/2GU10



Specification

Specification	7005L/D/E27
Voltage	220 VAC
Base	E27
Lamp	LED
Watt	2X15W MAX
Material	STEEL
Body Color	White-Black-(by order)
IP	54

Application

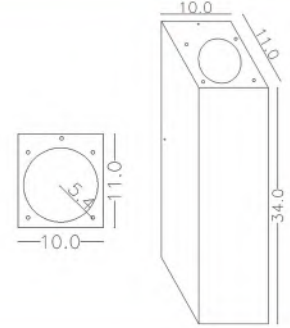
Residential area:

privet area,residential hotel,pedestrian ways,perimeter walls,external and internal walls

Amenity Lighting:

Residential building, hotel,restaurant,galery

7005L/D/2E27



Specification

Specification	7005L/D/E27
Voltage	220 VAC
Base	E27
Lamp	LED
Watt	15W MAX
Material	STEEL
Body Color	White-Black-(by order)
IP	54

Application

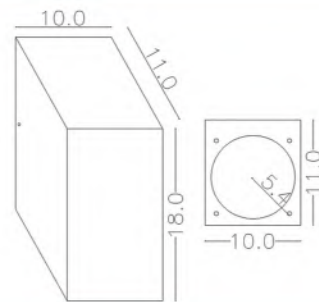
Residential area:

privet area,residential hotel,pedestrian ways,perimeter walls,external and internal walls

Amenity Lighting:

Residential building, hotel,restaurant,galery

7005L/D/E27



Specification

Specification	M7005/C/12	M7005/C/20	M7005/C/30
Voltage	220 VAC	220 VAC	220 VAC
Base	GU10	GU10	GU10
Lamp	CFL-LED	CFL-LED	CFL-LED
Watt	9W MAX	9W MAX	9W MAX
Material	STEEL	STEEL	STEEL
Body Color	White-Black-(by order)	White-Black-(by order)	White-Black-(by order)
IP	54	54	54

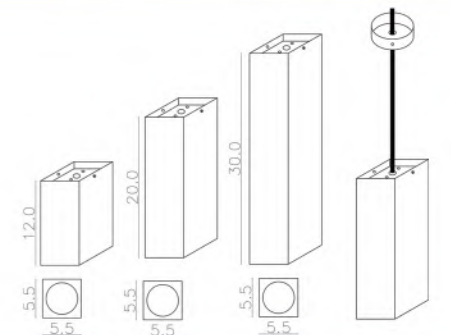
Application

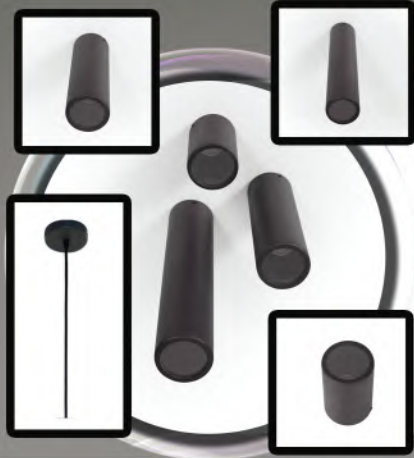
M7005/C/12**Residential area:****M7005/C/20**

privet area,residential hotel,pedestrian ways,perimeter walls,external and internal walls

M7005/C/30**Amenity Lighting:**

Residential building, hotel,restaurant,galery





Specification

Specification	S8005/C/12	S8005/C/20	S8005/C/30
Voltage	220 VAC	220 VAC	220 VAC
Base	GU10	GU10	GU10
Lamp	CFL-LED	CFL-LED	CFL-LED
Watt	9W MAX	9W MAX	9W MAX
Material	STEEL	STEEL	STEEL
Body Color	White-Black-(by order)	White-Black-(by order)	White-Black-(by order)
IP	54	54	54

Application

S8005/C/12

Residential area:

privet area,residential hotel,pedestrian

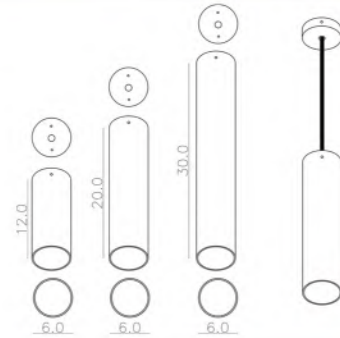
S8005/C/20

ways,perimeter walls,external and internal walls

Amenity Lighting:

S8005/C/30

Residential building, hotel,restaurant,galery



Specification

Specification	M9005/D
Voltage	220 VAC
Base	LED MODULE
Lamp	LED
Watt	5x5W MAX
Material	STEEL
Body Color	White-Black-(by order)
IP	54

Application

M9005/D

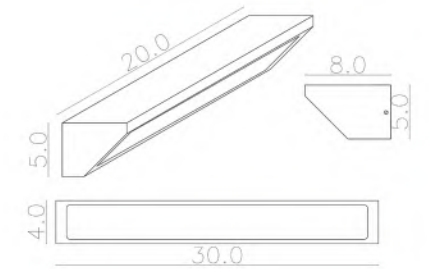
Residential area:

privet area,residential hotel,pedestrian

ways,perimeter walls,external and internal walls

Amenity Lighting:

Residential building, hotel,restaurant,galery



Specification

Specification	M8005/D	M8006/D
Voltage	220 VAC	220 VAC
Base	LED MODULE	LED MODULE
Lamp	LED	LED
Watt	3x5W MAX	4x5W MAX
Material	STEEL	STEEL
Body Color	White-Black-(by order)	White-Black-(by order)
IP	54	54

Application

M8006/D

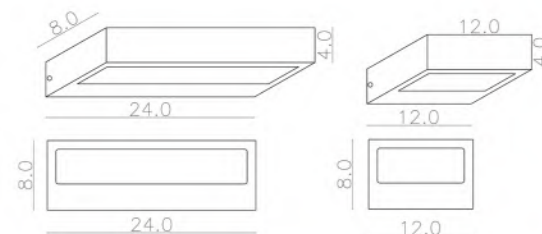
Residential area:

privet area,residential hotel,pedestrian
ways,perimeter walls,external and internal walls

M8007/D

Amenity Lighting:

Residential building, hotel,restaurant,galery



Specification

Specification	4004M/D
Voltage	220 VAC
Base	GU10
Lamp	LED
Watt	4x9W MAX
Material	STEEL
Body Color	White-Black-(by order)
IP	54

Application

4004M/D

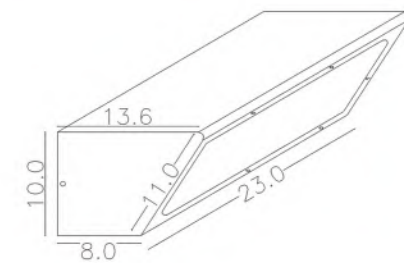
Residential area:

privet area,residential hotel,pedestrian

ways,perimeter walls,external and internal walls

Amenity Lighting:

Residential building, hotel,restaurant,galery



Specification

Specification	4004L/D
Voltage	220 VAC
Base	GU10
Lamp	LED
Watt	5X9W MAX
Material	STEEL
Body Color	White-Black-(by order)
IP	54

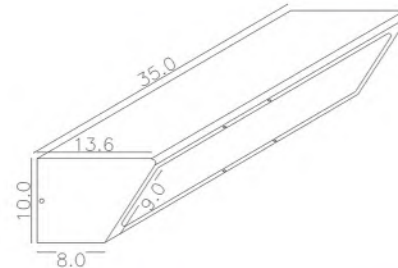
Application

Residential area:

privet area,residential hotel,pedestrian ways,perimeter walls,external and internal walls

Amenity Lighting:

Residential building, hotel,restaurant,galery



4004L/D

Specification

Specification	M7006/DR/GU10	M7006/DR/3GU10
Voltage	220 VAC	220 VAC
Base	GU10	GU10
Lamp	CFL-LED	CFL-LED
Watt	9W MAX	2X9W MAX
Material	STEEL	STEEL
Body Color	White-Black-(by order)	White-Black-(by order)
IP	54	54

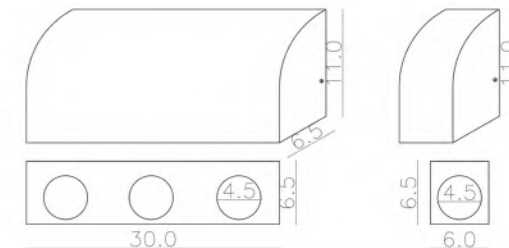
Application

Residential area:

privet area,residential hotel,pedestrian ways,perimeter walls,external and internal walls

Amenity Lighting:

Residential building, hotel,restaurant,galery



M7006/DR/GU10

M7006/DR/3GU10

Specification

Specification	Z6066/C/5GU10
Voltage	220 VAC
Base	GU10
Lamp	LED
Watt	5X9W MAX
Material	STEEL
Body Color	White-Black-(by order)
IP	54

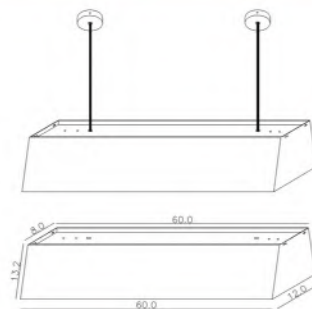
Application

Residential area:

privet area,residential hotel,pedestrian ways,perimeter walls,external and internal walls

Amenity Lighting:

Residential building, hotel,restaurant,galery



Z6066/C/5GU10

Specification

Specification	D7008/D/E27	D7008/D/2E27
Voltage	220 VAC	220 VAC
Base	E27	2xE27
Lamp	CFL-LED	CFL-LED
Watt	23W MAX	23W MAX
Material	STEEL	STEEL
Body Color	White-Black-(by order)	White-Black-(by order)
IP	10	10

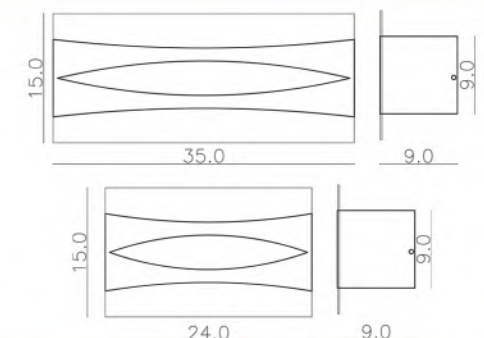
Application

Residential area:

privet area,residential hotel,pedestrian ways,perimeter walls,external and internal walls

Amenity Lighting:

Residential building, hotel,restaurant,galery



D7008/D/E27

D7008/D/2E27

Specification

Specification	D7007/D/E27	D7007/D/2E27
Voltage	220 VAC	220 VAC
Base	E27	2xE27
Lamp	CFL-LED	CFL-LED
Watt	23W MAX	23W MAX
Material	STEEL	STEEL
Body Color	White-Black-(by order)	White-Black-(by order)
IP	10	10

Application

Residential area:

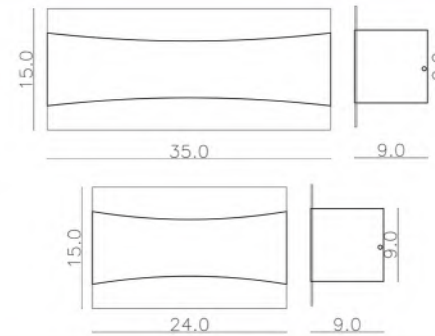
privet area,residential hotel,pedestrian ways,perimeter walls,external and internal walls

Amenity Lighting:

Residential building, hotel,restaurant,galery

D7007/D/E27

D7007/D/2E27



Specification

Specification	M2012/D/E14	
Voltage	220 VAC	
Base	E14	
Lamp	CFL-LED	
Watt	11 W MAX	
Material	STEEL	
Body Color	Gray-Black-(by order)	
IP	45(Indoor)	

Application

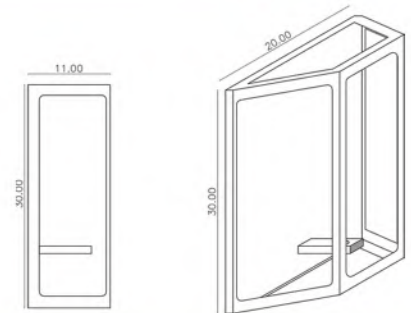
Residential area:

privet area,residential hotel,pedestrian ways,perimeter walls,external and internal walls

Amenity Lighting:

Residential building, hotel,restaurant,galery

M2012/D/E14



Specification

Specification	D7009/D/E27	D7009/D/2E27
Voltage	220 VAC	220 VAC
Base	E27	2xE27
Lamp	CFL-LED	CFL-LED
Watt	23W MAX	23W MAX
Material	STEEL	STEEL
Body Color	White-Black-(by order)	White-Black-(by order)
IP	10	10

Application

Residential area:

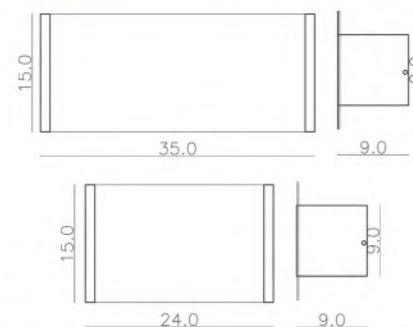
privet area,residential hotel,pedestrian

Amenity Lighting:

Residential building, hotel,restaurant,galery

D7009/D/E27

D7009/D/2E27



Specification

Specification	M2011/D/E27	
Voltage	220 VAC	
Base	E27	
Lamp	CFL-LED	
Watt	23W MAX	
Material	STEEL	
Body Color	Gray-Black-(by order)	

Application

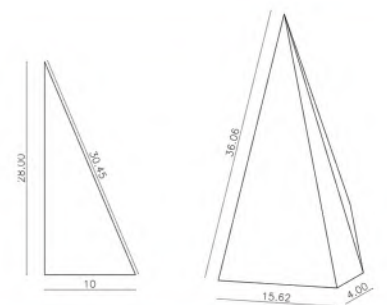
Residential area:

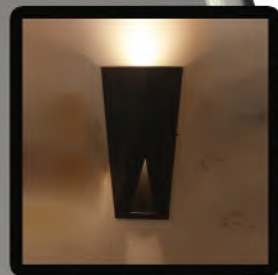
privet area,residential hotel,pedestrian

Amenity Lighting:

Residential building, hotel,restaurant,galery

M2011/D/E27





M2010/D/2GU10

Specification

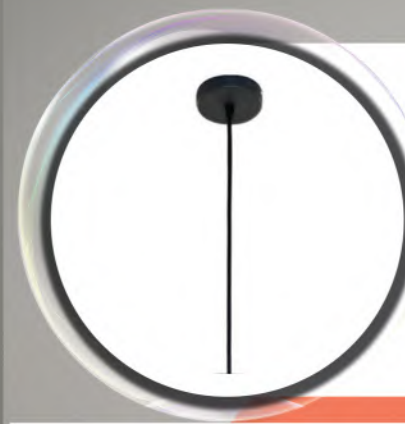
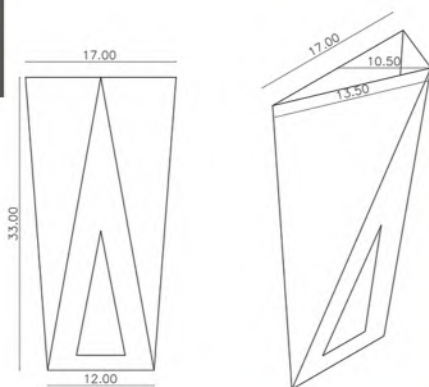
Specification	M2010/D/2GU10
Voltage	220 VAC
Base	GU10
Lamp	LED
Watt	2 x 9W MAX
Material	STEEL
Body Color	Gray-Black-(by order)
IP	45(Indoor)

Application

Residential area:
privet area,residential hotel,pedestrian
ways,perimeter walls,external and internal walls

Amenity Lighting:

Residential building, hotel,restaurant,galery



Specification

Specification	HANG/C
Voltage	220 VAC
Material	STEEL
Body Color	White-Black-(by order)

Application

HANG/C

For hanging instalation : S8005/C - M7005/C - Z6064/C - Z6065/C - Z6066/C



Specification

Specification	Z6066/C/5GU10
Voltage	220 VAC
Base	GU10
Lamp	LED
Watt	5X9W MAX
Material	STEEL
Body Color	White-Black-(by order)
IP	54

OUTLET PACKAGE 4

Application

Power distribution for appliyences and laboratory divices

